



**WadBros**<sup>®</sup>  
GERMAN STANDARD  
Designer Ventilation Fans



Visit Our Website  
[www.wadbros.com](http://www.wadbros.com)

Air Quality  
for the highest demands

**WadBros**  
GERMAN STANDARD  
Designer Ventilation Fans

Visit our website  
[www.wadbros.com](http://www.wadbros.com)



AARAM  
WALI ZINDAGI,  
**WADBROS**  
EXHAUST  
FAN KE SAATH!



# WadBros Imports & Exports Designer Ventilation Fans

WADBROS commenced operations in the year 2007. The company policy has been to provide international standards at affordable prices, also keeping in mind sustainability.

WADBROS fans have been uniquely designed keeping in mind the Indian scenario and needs, after understanding the requirements of the customer; we have designed world class silicone steel motors.

These motors power all our fans and are energy efficient. Thus, our fans have low energy consumption, low sound level and high speed resulting in excellent suction capabilities.

We have a complete range of fans i.e. window exhaust fans, ceiling exhaust fans and also inline/ductable exhaust fans. We continuously test our fans

for performance and durability. We are also constantly innovating to deliver the best.

We are the first to introduce Ball bearing motors, thermo cut off protection. Our fans have 'ROHS', 'CE' certification confirming to global standards. WADBROS fans are designed for universal usage apart from bathrooms, cabins, pooja rooms, lobby, staircase, kitchens etc.

Our philosophy is "FRESH AIR EVERYWHERE".

We offer two years warranty on all our products. Our client list includes the best names in the industry. We desire to retain the numero uno status in the industry and strive to provide the best to our customers in terms of quality.





**Kitchen Fans Recommended by  
MICHELIN CHEF VIKAS KHANNA**



Air Quality  
for the highest demands



**Vent - O 6 Royal Collection**



**Texture Bronze**



**Texture Copper**



**Brush Rose Gold**



**Brush Gold**



**Brush Bronze**



**Brush Gun Metal**

Air Quality  
for the highest demands



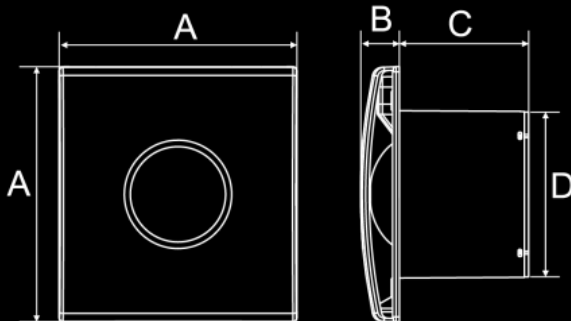
## Vent - O 6 Royal Collection

### Specifications

Model	Rated Voltage (V)	Input (w)	Airflow (m3/h)	Noise (db)	Size (mm)	RPM
Vent - O6	220 - 240	25	320	35	150	2100



- **Classic finish to match premium decor.**
- Finest Quality ABS plastic material sourced from LG or equivalent
- Silicon steel motor with built in thermo cut off protection
- Excellent airflow and quiet
- Easy installation for wall and glass applications
- Available in special colours, unique patterns & design



### Dimensions (mm)



Double Ball Bearing Motor



Silent Operation



Auto Cut off Protection

Model	A	B	C	D
Vent - O6	194 X 194	28	95	145

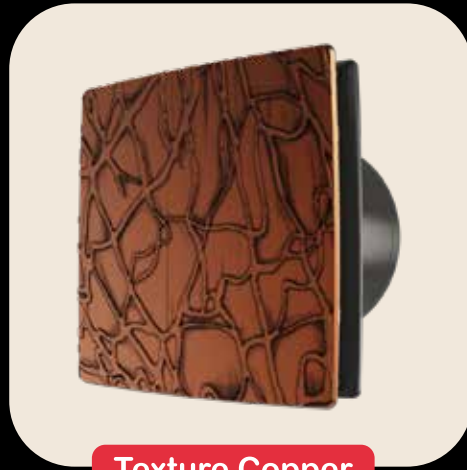
Air Quality  
for the highest demands



**Vent - F6 Royal Collection**



**Texture Bronze**



**Texture Copper**



**Brush Rose Gold**



**Brush Gold**



**Brush Bronze**



**Brush Gun Metal**



Air Quality  
for the highest demands



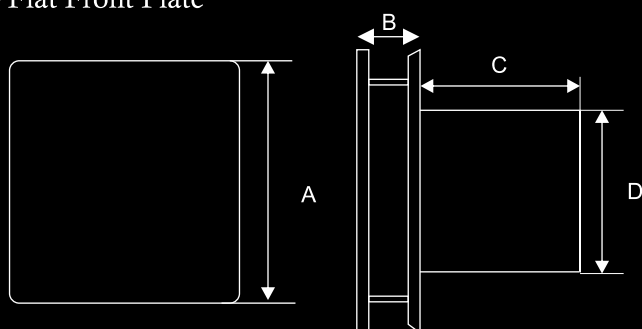
## Vent - F6 Royal Collection

### Specifications

Model	Rated Voltage (V)	Input (w)	Airflow (m3/h)	Noise (db)	Size (mm)	RPM
Vent - F6	220 - 240	25	320	35	150	2100



- **Classic finish to match premium decor.**
- Finest Quality ABS plastic material sourced from LG or equivalent
- Silicon steel motor with built in thermo cut off protection
- Excellent airflow and quiet
- Easy installation for wall and glass applications.
- Available in special colours, unique patterns & design
- Flat Front Plate



Double Ball Bearing Motor



Silent Operation



Auto Cut off Protection

### Dimensions (mm)

Model	A	B	C	D
Vent - F6	194 X 200	28	95	145

Air Quality  
for the highest demands

**Vent - O**

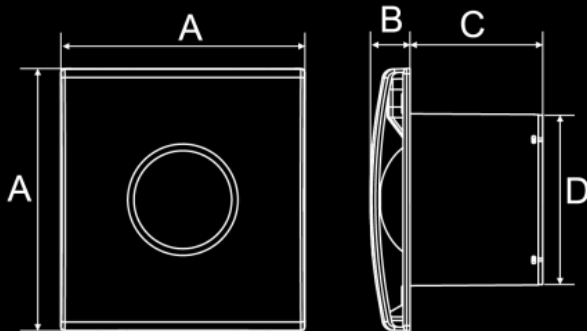


Specifications

Model	Rated Voltage (V)	Input (w)	Airflow (m3/h)	Noise (db)	Size (mm)	RPM
Vent - O4	220 - 240	15	100	33	100	2450
Vent - O6	220 - 240	25	320	35	150	2100



- Finest Quality ABS plastic material sourced from LG or equivalent
- Silicon steel motor with built in thermo cut off protection
- Excellent airflow and quiet
- Easy installation for wall and glass applications
- Available in White, Ivory, Black & Brown



Dimensions (mm)



Double Ball Bearing Motor

Silent Operation

Auto Cut off Protection

Model	A	B	C	D
Vent - O4	150 X 150	27	82	98
Vent - O6	194 X 194	28	95	145

Air Quality  
for the highest demands



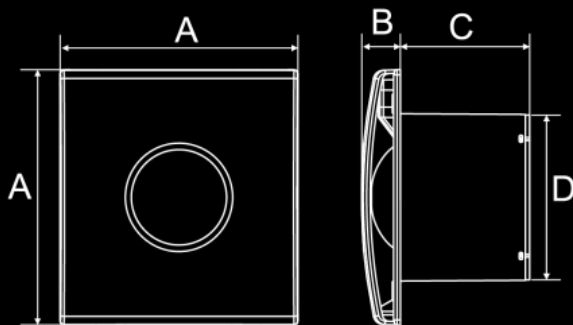
**Vent - O SS**

Specifications

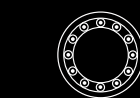
Model	Rated Voltage (V)	Input (w)	Airflow (m3/h)	Noise (db)	Size (mm)	RPM
Vent - O4 SS	220 - 240	15	100	33	100	2450
Vent - O6 SS	220 - 240	25	320	35	150	2100



- Available in 304 grade Stainless Steel brush finish
- Finest Quality ABS plastic material sourced from LG or equivalent
- Silicon steel motor with built in thermo cut off protection
- Excellent airflow and quiet
- Easy installation for wall and glass applications



Dimensions (mm)



Double Ball Bearing Motor



Silent Operation



Auto Cut off Protection

Model	A	B	C	D
Vent - O4 SS	150 X 150	27	82	98
Vent - O6 SS	194 X 194	28	95	145

Air Quality  
for the highest demands



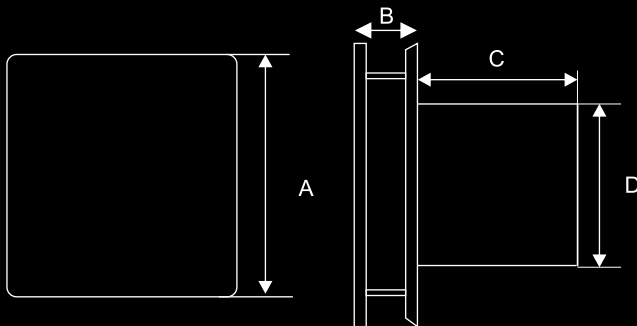
**Vent - F**

Specifications

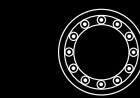
Model	Rated Voltage (V)	Input (w)	Airflow (m3/h)	Noise (db)	Size (mm)	RPM
Vent - F4	220 - 240	15	100	33	100	2450
Vent - F6	220 - 240	25	320	35	150	2100



- Finest Quality ABS plastic material sourced from LG or equivalent
- Silicon steel motor with built in thermo cut off protection
- Excellent airflow and quiet
- Easy installation for wall and glass applications
- Available in White, Ivory, Black & Brown
- Flat Front Plate



Dimensions (mm)



Double Ball Bearing Motor



Silent Operation



Auto Cut off Protection

Model	A	B	C	D
Vent - F4	150 X 150	27	82	98
Vent - F6	194 X 200	28	95	145



## Vent - F SS

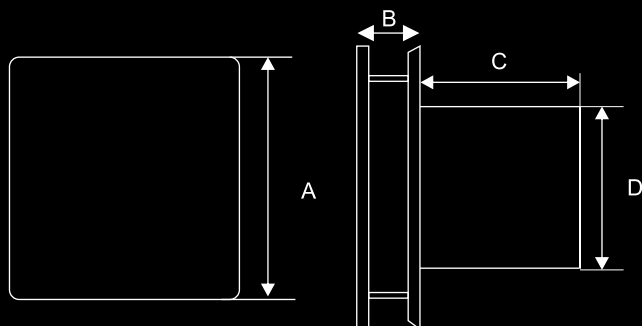
### Specifications

Model	Rated Voltage (V)	Input (w)	Airflow (m3/h)	Noise (db)	Size (mm)	RPM
Vent - F4 SS	220 - 240	15	100	33	100	2450
Vent - F6 SS	220 - 240	25	320	35	150	2100



### • Available in 304 grade Stainless Steel brush finish

- Finest Quality ABS plastic material sourced from LG or equivalent
- Silicon steel motor with built in thermo cut off protection
- Excellent airflow and quiet
- Easy installation for wall and glass applications
- Flat Front Plate



Double Ball Bearing Motor



Silent Operation



Auto Cut off Protection

### Dimensions (mm)

Model	A	B	C	D
Vent - F4 SS	150 X 150	27	82	98
Vent - F6 SS	194 X 200	28	95	145

Air Quality  
for the highest demands

**Vent O - Premium**

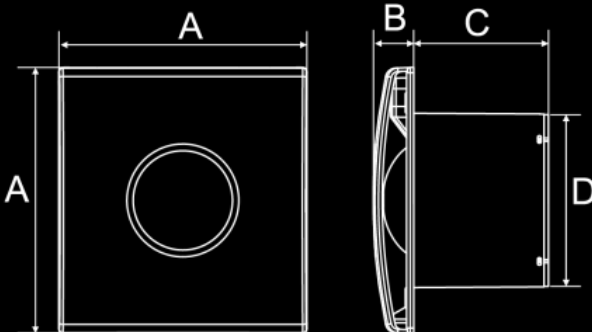


Specifications

Model	Rated Voltage (V)	Input (w)	Airflow (m3/h)	Noise (db)	Size (mm)	RPM
Vent - O6 Premium	220 - 240	25	320	28	150	2100



- **Scratch resistant with soft feel**
- Finest Quality ABS plastic material sourced from LG or equivalent
- Silicon steel motor with built in thermo cut off protection
- Excellent airflow and super silent
- Easy installation for wall and glass applications
- Available in White, Ivory, Black & Brown



Dimensions (mm)

- Double Ball Bearing Motor
- Silent Operation
- Auto Cut off Protection
- Scratch Resistant

Model	A	B	C	D
Vent - O6 Premium	195 X 195	28	95	145

Air Quality  
for the highest demands

**B - 6**



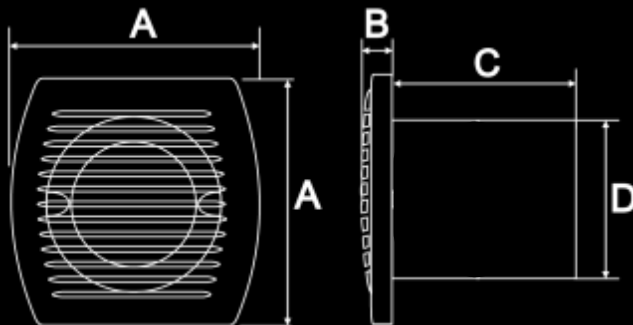
Specifications

Model	Rated Voltage (V)	Input (w)	Airflow (m3/h)	Noise (db)	Size (mm)	RPM
B-6	220 - 240	25	320	37	150	2100



• **Front Locking Clip System**

- Finest Quality ABS plastic material sourced from LG or equivalent
- Silicon steel motor with built in thermo cut off protection
- Excellent airflow and quiet
- Easy installation for wall and glass applications
- Available in Ivory



Dimensions (mm)

Model	A	B	C	D
B-6	190 X 190	15	112	148



Double Ball Bearing Motor



Silent Operation



Auto Cut off Protection

Air Quality  
for the highest demands

**M - Series**

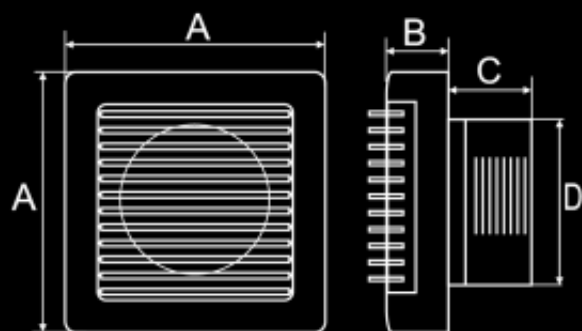


Specifications

Model	Rated Voltage (V)	Input (w)	Airflow (m3/h)	Noise (db)	Size (mm)	RPM
M - 4	220 - 240	15	100	33	100	2450
M - 6	220 - 240	25	320	37	150	2100



- **Automatic front shutter opening**
- Finest Quality ABS plastic material sourced from LG or equivalent
- Silicon steel motor with built in thermo cut off protection
- Excellent airflow and quiet
- Easy installation for wall and glass application
- Available in White



Dimensions (mm)



Double Ball Bearing Motor

Silent Operation

Auto Cut off Protection

Model	A	B	C	D
M - 4	150 X 150	50	40	97
M - 6	195 X 200	60	60	146



Air Quality  
for the highest demands

**N - Series**

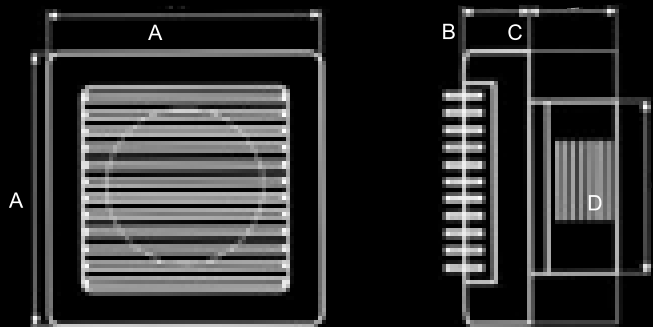


Specifications

Model	Rated Voltage (V)	Input (w)	Airflow (m3/h)	Noise (db)	Size (mm)	RPM
N - 4	220 - 240	15	100	33	100	2450
N - 6	220 - 240	25	320	37	150	2100



- Finest Quality ABS plastic material sourced from LG or equivalent
- Silicon steel motor with built in thermo cut off protection
- Excellent airflow and quiet
- Easy installation for wall and glass applications
- Available in White, Ivory & Black



Dimensions (mm)



Model	A	B	C	D
N - 4	158 X 158	21	55	98
N - 6	209 X 209	21	55	144

Air Quality  
for the highest demands

**Wave - 6**

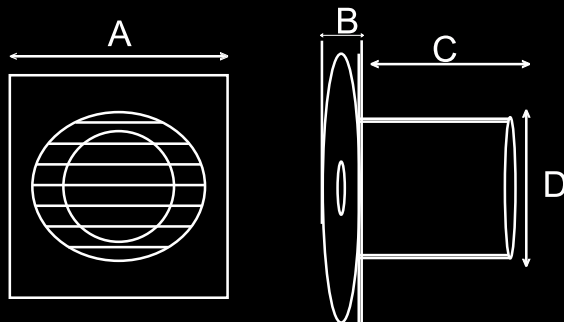


Specifications

Model	Rated Voltage (V)	Input (w)	Airflow (m3/h)	Noise (db)	Size (mm)
<b>Wave - 6</b>	<b>220 - 240</b>	<b>25</b>	<b>320</b>	<b>35</b>	<b>150</b>



- Finest Quality ABS plastic material sourced from LG or equivalent
- Silicon steel motor with built in thermo cut off Protection
- Excellent airflow and quiet
- Easy installation for wall and glass application
- Easy to clean
- Available in Black, Brown, Ivory, Grey & White



Dimensions (mm)



Silent Operation



Auto Cut off Protection

Model	A	B	C	D
<b>Wave - 6</b>	<b>194 X 194</b>	<b>20</b>	<b>97</b>	<b>145</b>

**Sweep - 06**

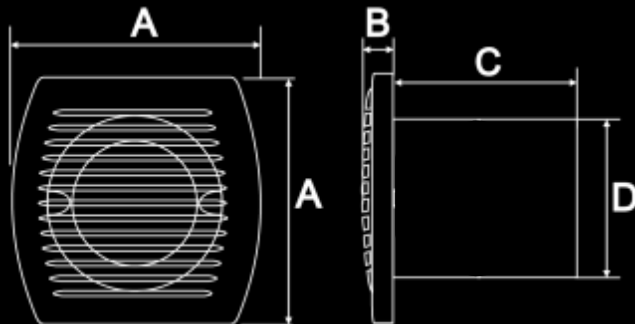


Specifications

Model	Rated Voltage (V)	Input (w)	Airflow (m3/h)	Noise (db)	Size (mm)	RPM
Sweep - 06	220 - 240	25	320	<35	150	2150
Sweep - 06+	220 - 240	25	320	<35	150	2150



- Finest Quality ABS plastic material sourced from LG or equivalent
- Silicon steel motor
- Excellent airflow and quiet
- Easy installation for wall and glass applications
- Available in White, Black, Brown, Ivory & Grey
- Sweep 6+ Available with louvers at the back



Dimensions (mm)



Silent Operation



Auto Cut off Protection

Model	A	B	C	D
Sweep - 06	198 X 198	10	85	150
Sweep - 06+	198 X 198	10	85	150

Air Quality  
for the highest demands

**Eco - Series**

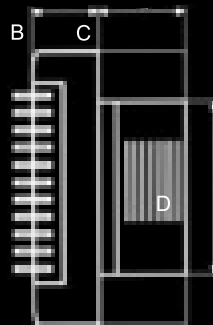
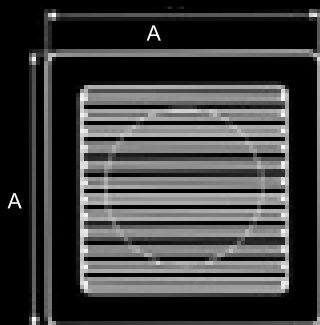


Specifications

Model	Rated Voltage (V)	Input (w)	Airflow (m3/h)	Noise (db)	Size (mm)	RPM
Eco - 4	220 - 240	15	100	33	100	2450
Eco - 6	220 - 240	25	320	37	150	2100
Eco - 6+	220 - 240	25	320	37	150	2100



- Finest Quality ABS plastic material sourced from LG or equivalent
- Silicon steel motor with built in thermo cut off protection
- Excellent airflow and quiet
- Easy installation for wall and glass applications
- Available in White, Black, Brown, Ivory & Grey
- Eco 6+ Available with louvers at the back



Silent Operation



Auto Cut off Protection

Dimensions (mm)

Model	A	B	C	D
Eco - 4	130 X 130	15	55	98
Eco - 6	180 X 180	15	70	144
Eco - 6+	180 X 180	15	70	144

Air Quality  
for the highest demands

**L - Series**

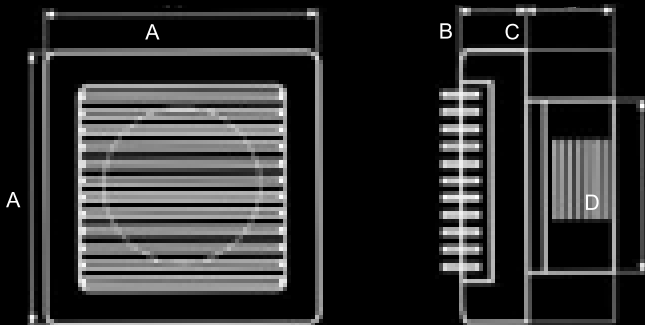


Specifications

Model	Rated Voltage (V)	Input (w)	Airflow (m3/h)	Noise (db)	RPM
L-4	220 - 240	15	100	33	2450
L-6	220 - 240	25	320	37	2100



- Finest Quality ABS plastic material sourced from LG or equivalent
- Silicon steel motor with built in thermo cut off protection
- Excellent airflow and quiet
- Easy installation for wall and glass applications
- Available in White, Ivory & Black



Dimensions (mm)



Silent Operation



Auto Cut off Protection

Model	A	B	C	D	Size (mm)
L-4	158 X 158	21	55	98	100
L-6	209 X 209	21	68	148	150

Air Quality  
for the highest demands

**Kitchen King**

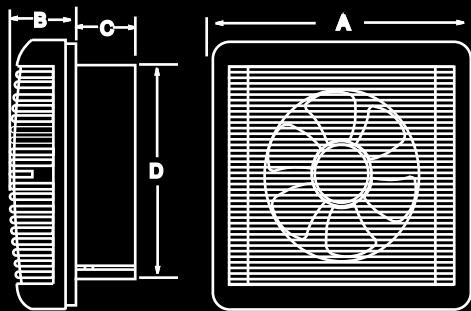


Specifications

Model	Rated Voltage (V)	Rated Frequency (Hz)	Input (w)	Airflow (m3/h)	Noise (db)	RPM
Kitchen King - 6	220 - 240	50	25	330	<45	1550
Kitchen King - 8	220 - 240	50	30	486	<41	1450



- **Hi - Speed**
- Silicon steel motor with built in thermo cut off Protection
- Excellent airflow and quiet
- Easy installation for wall application
- Easy to clean
- Available in Black, Brown, Ivory, Grey & White



Silent Operation



Auto Cut off Protection

Dimensions (mm)

Model	A	B	C	D
Kitchen King - 6	230	28	95	186
Kitchen King - 8	295	37	92	238

Air Quality  
for the highest demands

**Kitchen Star**

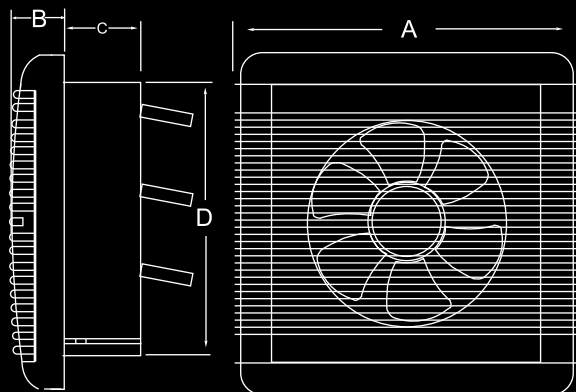


Specifications

Model	Rated Voltage (V)	Rated Frequency (Hz)	Input (w)	Airflow (m3/h)	Noise (db)	RPM
Kitchen Star - 6	220 - 240	50	25	330	<45	1550
Kitchen Star - 8	220 - 240	50	30	486	<41	1450



- Finest Quality ABS plastic material sourced from LG or equivalent
- Silicon steel motor with built in thermo cut off protection
- Excellent airflow and quiet
- Easy installation for wall applications
- Available in White, Ivory, Black, Brown & Grey



Dimensions (mm)



Double Ball Bearing Motor



Silent Operation



Auto Cut off Protection

Model	A	B	C	D
Kitchen Star - 6	230	35	95	187
Kitchen Star - 8	295	37	92	238

## Kitchen Cool

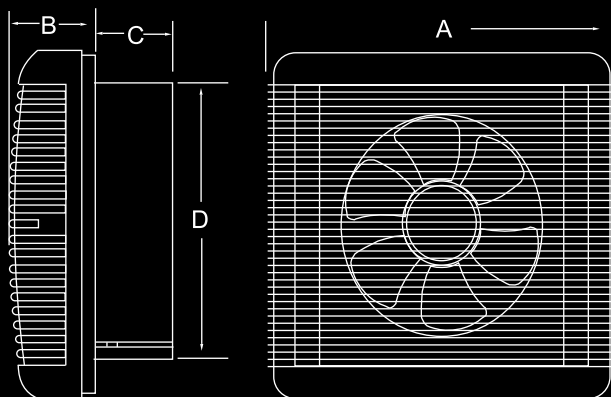


### Specifications

Model	Rated Voltage (V)	Rated Frequency (Hz)	Input (w)	Airflow (m3/h)	Noise (db)	RPM
Kitchen Cool - 6	220 - 240	50	25	330	40	1550
Kitchen Cool - 8	220 - 240	50	30	486	41	1450



- **Twin Motor System**
- **Motorised Back Shutters**
- Finest Quality ABS plastic material sourced from LG or equivalent
- Silicon steel motor with built in thermo cut off protection
- Excellent airflow and quiet
- Easy installation for wall and glass applications



Dimensions (mm)



Double Ball Bearing Motor



Silent Operation



Auto Cut off Protection

Model	A	B	C	D	φ
Kitchen Cool - 6	230	70	85	175	180
Kitchen Cool - 8	290	70	85	233	240



Air Quality  
for the highest demands

**BPT 15 - 43 F 56 S**

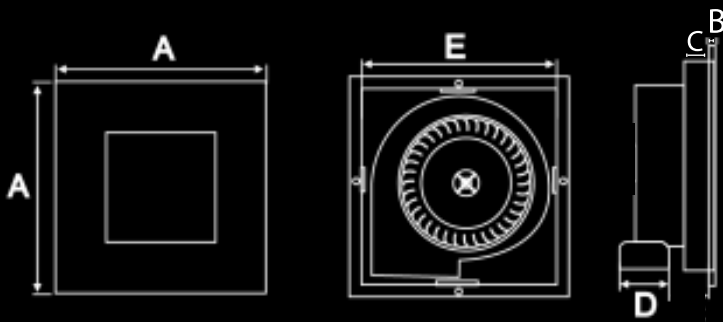


Specifications

Model	Rated Voltage (V)	Input (w)	Airflow (m3/h)	Noise (db)
BPT 15 - 43 F56 S	220	22	200	33



- Finest Quality ABS plastic material sourced from LG or equivalent
- Silicon steel motor with built in thermo cut off protection
- Excellent airflow and quiet
- Easy installation for ceiling applications
- Available in White & Ivory



Dimensions (mm)



Double Ball Bearing Motor



Silent Operation



Auto Cut off Protection

Model	A	B	C	D	E
BPT 15 - 43 F56 S	256	30	47	100	200 X 200

Air Quality  
for the highest demands

**BPT 15 - 43 F59 Slimline**

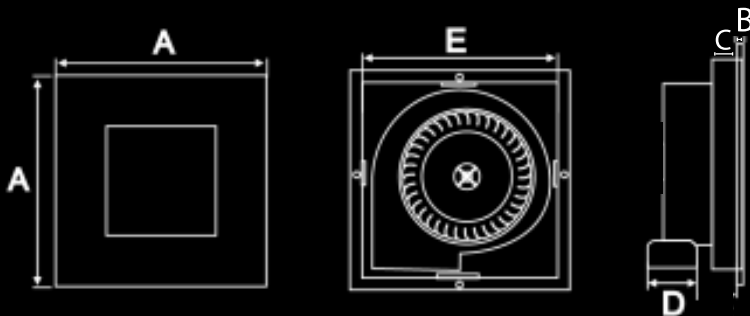


Specifications

Model	Rated Voltage (v)	Input (W)	Airflow (m <sup>3</sup> /h)	Noise (db)
BPT 15 - 43 F59 Slimline	220	22	220	33



- Finest Quality ABS plastic material sourced from LG or equivalent
- Silicon steel motor with built in thermo cut off protection
- Excellent airflow and quiet
- Easy installation for ceiling application



Dimensions (mm)



Double Ball Bearing Motor



Silent Operation



Auto Cut off Protection

Model	A	B	C	D	E
BPT 15 - 43 F59 Slimline	256	7	47	100	200 X 200

Air Quality  
for the highest demands

**BPT 15 - 43 F56**

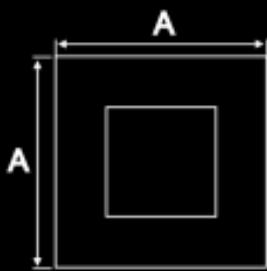


Specifications

Model	Rated Voltage (v)	Input (W)	Airflow (m <sup>3</sup> /h)	Noise (db)
BPT 15 - 43 F56	220	25	240	45



- Finest Quality ABS plastic material sourced from LG or equivalent
- Silicon steel motor with built in thermo cut off protection
- Excellent airflow and quiet
- Easy installation for ceiling application
- Available in White



Dimensions (mm)



Double Ball Bearing Motor



Silent Operation



Auto Cut off Protection

Model	A	B	C	D	E
BPT 15 - 43 F56	300	40	120	100	250 X 250

Air Quality  
for the highest demands

**BPT 10 - 13 / 323**

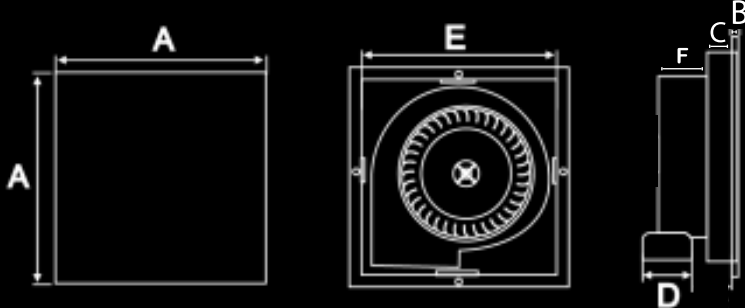


Specifications

Model	Rated Voltage (V)	Input (w)	Airflow (m3/h)	Noise (db)
BPT 10 - 13 / 323	220	22	175	35



- Finest Quality ABS plastic material sourced from LG or equivalent
- Silicon steel motor with built in thermo cut off protection
- Excellent airflow and quiet
- Easy installation for ceiling application
- Available in Ivory



Dimensions (mm)

- Double Ball Bearing Motor
- Silent Operation
- Auto Cut off Protection

Model	A	B	C	D	E	F
BPT 10 - 13 / 323	260 X 260	33	44	100	255 X 255	85

Air Quality  
for the highest demands

**BPT 15 - 43 F 53 S**

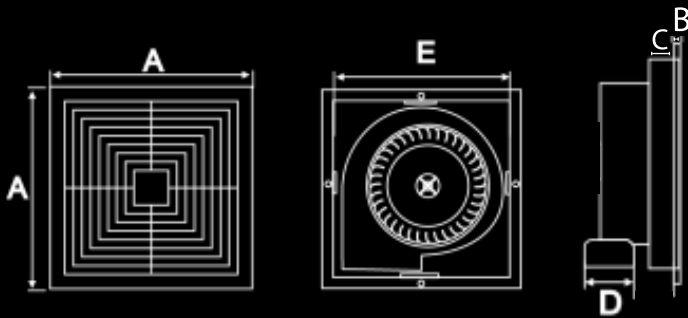


Specifications

Model	Rated Voltage (V)	Input (w)	Airflow (m3/h)	Noise (db)
BPT 15 - 43 F53 S	220	22	200	40



- Finest Quality ABS plastic material sourced from LG or equivalent
- Silicon steel motor with built in thermo cut off protection
- Excellent airflow and quiet
- Easy installation for ceiling application
- Available in Ivory



Dimensions (mm)

Double Ball Bearing Motor    
 Silent Operation    
 Auto Cut off Protection

Model	A	B	C	D	E
BPT 15 - 43 F53 S	256	30	47	100	200 X 200

Air Quality  
for the highest demands

**DP 820 - 55 / 161**



Specifications

Model	Rated Voltage (v)	Frequency (Hz)	Input (W)	Fwind Leaf (Pa)	Airflow (m <sup>3</sup> /h)	Noise (db)	Diameter of Fan (mm)
DP 820 - 55 / 161	220 - 240	50	75	>250	>756	<50db	200



- Finest Quality ABS plastic material sourced from LG or equivalent
- Silicon steel motor with built in thermo cut off protection
- Excellent airflow and quiet
- Easy installation for ceiling application.



Dimensions (mm)



Double Ball Bearing Motor



Silent Operation



Auto Cut off Protection

Model	A	B	C	D	E
DP 820 - 55 / 161	273	290	310	186	148

Air Quality  
for the highest demands

**Ceiling Deco Fan**



Specifications

Model	Rated Voltage (V)	Input (W)	PF	Current	RPM
Ceiling Deco Fan With Remote	220 - 240	60	0.95	0.317 A	1450



**Classic Ceiling Deco Fan**

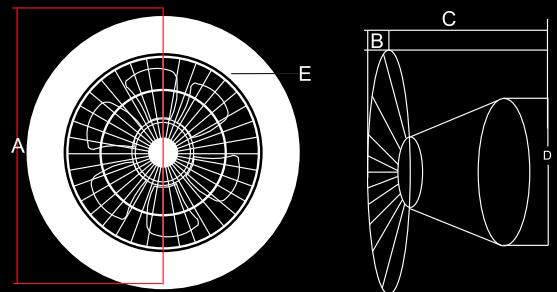


**Grid Ceiling Deco Fan**



**Glitter Ceiling Deco Fan**

- Remote Control operated
- Sleek design suitable for low and false ceiling application
- Suitable for walk in wardrobe, office cubicle, puja room
- The fan lights are available in three colours : White, Warm white & Natural white.
- It has Rotating grill & dimmer.



Dimensions (mm)



Double Ball Bearing Motor



Silent Operation



Auto Cut off Protection

Model	A	B	C	D	E
Ceiling Deco Fan With Remote (Classic)	580	50	180	205	115
Ceiling Deco Fan With Remote (Grid)	580	50	200	205	110
Ceiling Deco Fan With Remote (Glitter)	490	60	190	205	65

Air Quality  
for the highest demands

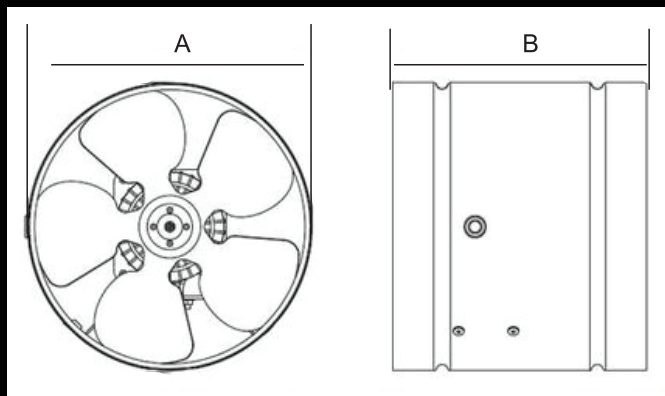
**PL**



Specifications

Dimensions (mm)

Model	Rated Voltage (v)	Frequency (Hz)	Power (W)	Airflow (m3/h)	Noise (db)	Speed	A	B
PL - 6	220-240	50	40	780	58	2800	147	135
PL - 8	220-240	50	80	1300	62	2800	195	150
PL - 10	220-240	50	100	2100	65	2800	244	150



- Excellent airflow and quiet
- Easy installation for wall application
- Easy to clean
- Available in metal body with SS blade



Double Ball Bearing Motor



Silent Operation



Auto Cut off Protection



Air Quality  
for the highest demands

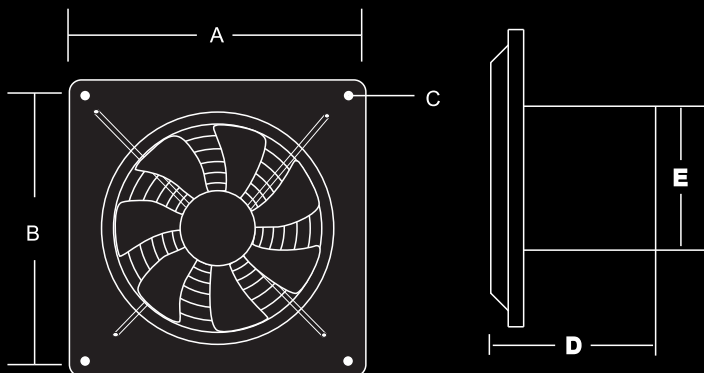


## Tornado

### Specifications

Model	Impeller diameter (mm)	Rated Voltage (v)	Rated Frequency (Hz)	Power (w)	Capacity (m3/h)	Speed (r/min)	Noise (db)
Tornado - 6	150	220-240	50	40	780	2800	<56
Tornado - 8	200	220-240	50	80	1300	2800	<62
Tornado - 10	250	220-240	50	100	2100	2800	<65

- Rugged and heavy duty
- Used in industrial & mining enterprises, civil buildings & kitchens
- Stainless steel blade with front grill
- High speed double ball bearings motor



Double Ball Bearing Motor



Auto Cut off Protection

### Dimensions (mm)

Model	A	B	C	D	E
Tornado - 6	190	182	6	140	150
Tornado - 8	250	215	6	150	200
Tornado - 10	310	262	12	165	250

Air Quality  
for the highest demands

## Inline Duct Fan WAD / IL Series



# Fresh Air Everywhere

- Intended for ventilation in residential and commercial premises
- Easy to clean and install
- Can be used with duct pipes



Double Ball Bearing Motor



Silent Operation

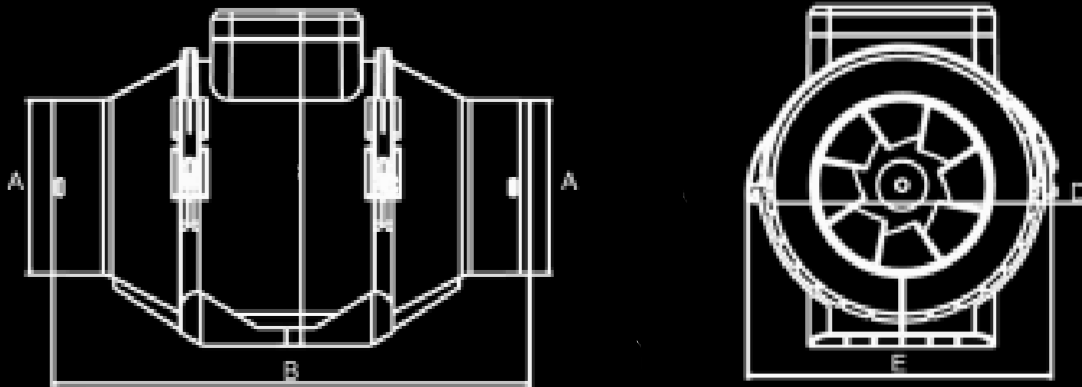


Auto Cut off Protection

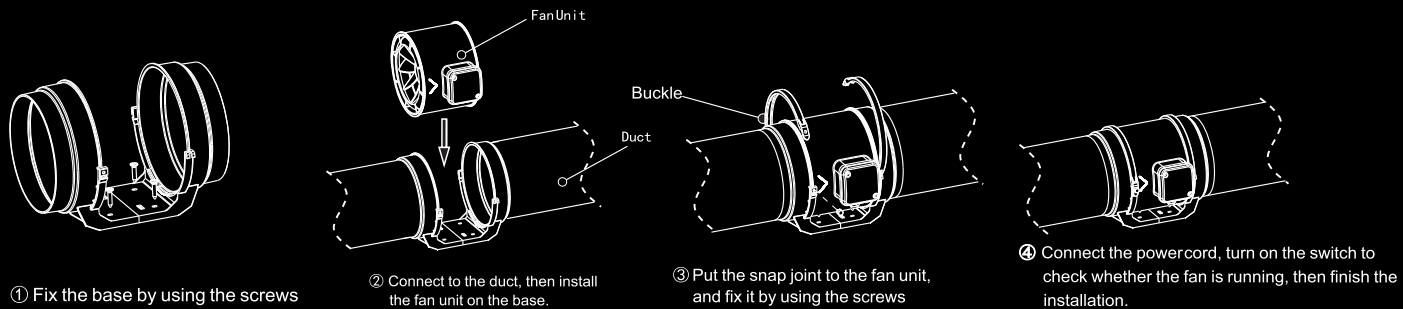


## Dimensions

Model	A	B	C	D	E	F	G	H	H1
WAD IL 10	300	100	100	214	62	60	7X5	182	95
WAD IL 15	293	150	120	237	72	70	7X7	211	110
WAD IL 20	304	200	140	258	78	85	8X6	235	124
WAD IL 25	383	250	180	298	119	92	11X8	291	152
WAD IL 31	413	315	220	364	127	140	11X8	395	189



## Installation Diagram



## Specifications

Model	Fan Size (mm)	Rated Voltage(V)	Rated Frequency(Hz)	Rated Power(w)	Air delivery (m3/h)	RPM
WAD IL 10	100	220-240	50-60	26	200	2450/ 1800
WAD IL 15	150	220-240	50-60	50	500	2600/ 2080
WAD IL 20	200	220-240	50-60	70	850	2500/ 2050
WAD IL 25	250	220-240	50-60	175	1600	2500
WAD IL 31	315	220-240	50-60	280	2500	2500

Air Quality  
for the highest demands

**DPT Series**



- **Rugged and heavy duty**
- Intended for ventilation in residential and commercial premises
- Easy to clean and install
- Can be used with duct pipes
- Centrifugal fan suitable for use in hotels, toilets and air-conditioned rooms for air exchange



Double Ball Bearing Motor



Silent Operation



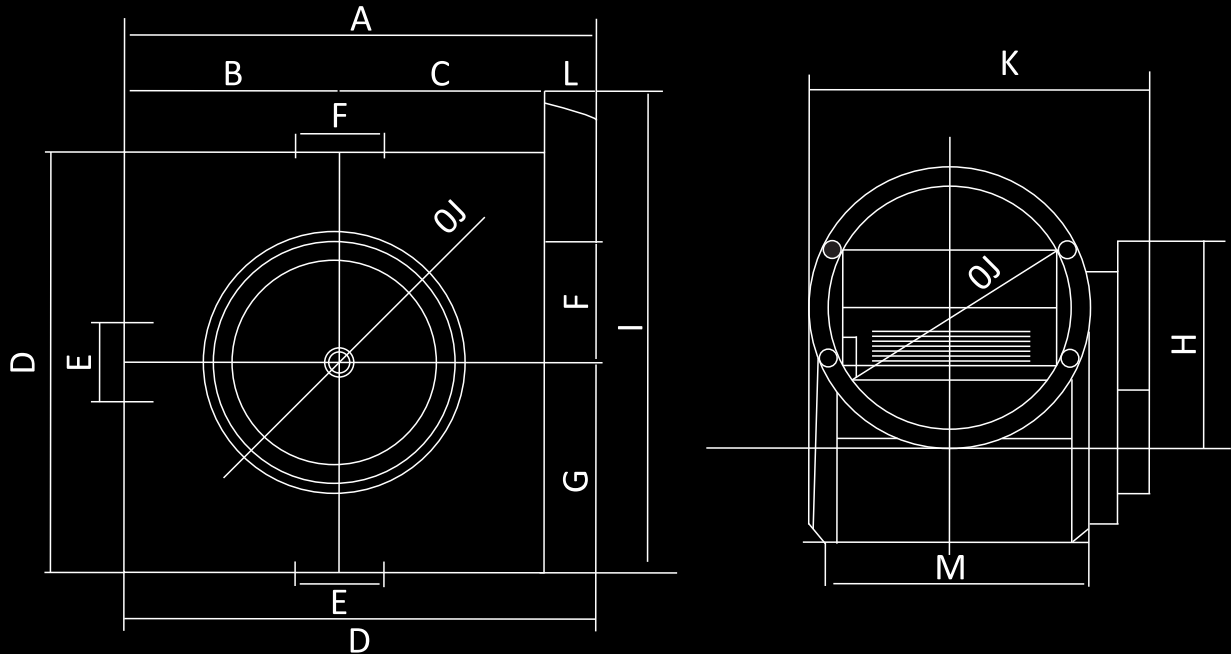
Auto Cut off Protection

Air Quality  
for the highest demands



## Specifications

Model	Impeller diameter (mm)	Rated Voltage (v)	Rated Frequency (Hz)	Power (w)	Capacity (m3/h)	Speed (r/min)	Noise (db)	Static Pressure (pa)	Connection Duct diameter (mm)
DPT 150	150	220-240	50	35	520	1200	<42	110	150
DPT 200F	200	220-240	50	230	1500	1200	<60	225	200



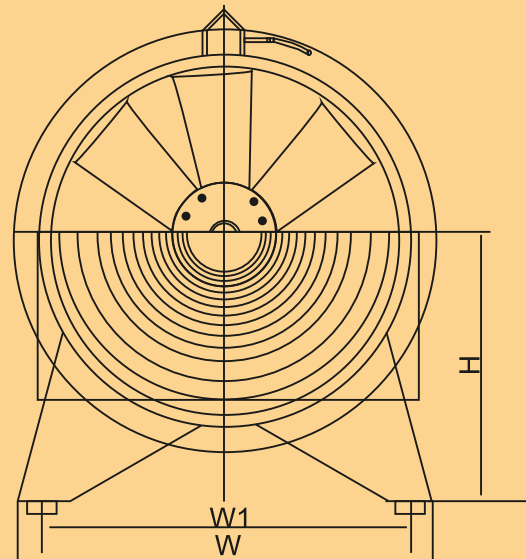
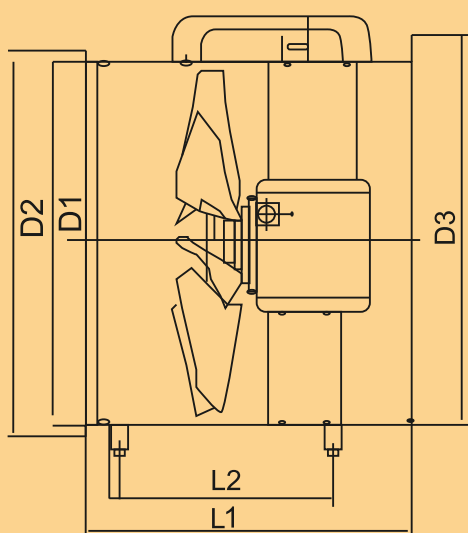
## Dimensions (mm)

Model	A	B	C	D	E	F	G	H	I	J	K	L	M
DPT 150	261	112	119	230	120	76	95	224	256	148	232	29	131
DPT 200F	331	151	150	300	160	106	130	291	346	198	348	29	198

Air Quality  
for the highest demands



**SHT Series ( Portable Fan For Exhaust or Blowing )**





## SHT Series ( Portable Fan For Exhaust or Blowing )

### Dimension

SHT	D1	D2	D3	L1	L2	W	W1	H
2.5A	260	285	310	340	220	280	236	195
3A	310	330	360	340	220	320	276	220
3.5A	360	380	410	370	235	365	320	245
4A	410	430	460	370	235	420	376	270

- **Portable and light weight**
- Excellent application for dust collection
- Can be used as an exhaust for blowing inside a container and tunnel
- A professional fan for machinery and engineering
- Optional 10 metre canvas duct available



### Specifications

Model	Power (kw)	Voltage(V)	Rotation(RPM)	Volume(m³/h)	Pressure(Pa)
SHT - 2.5A	0.25	220	2800	1492~1822	154~134
SHT - 3.0A	0.37	220	2800	2578~3148	222~192
SHT - 3.5A	0.55	220	2800	3392~4202	285~224
SHT - 4.0A	0.90	220	2800	4054~5013	380~270

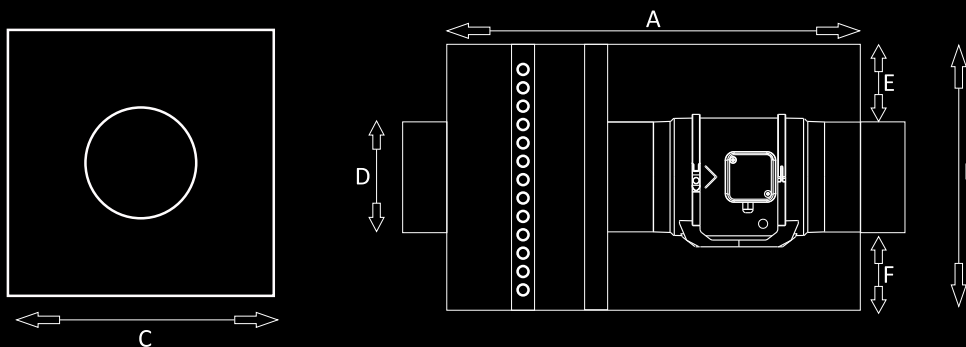
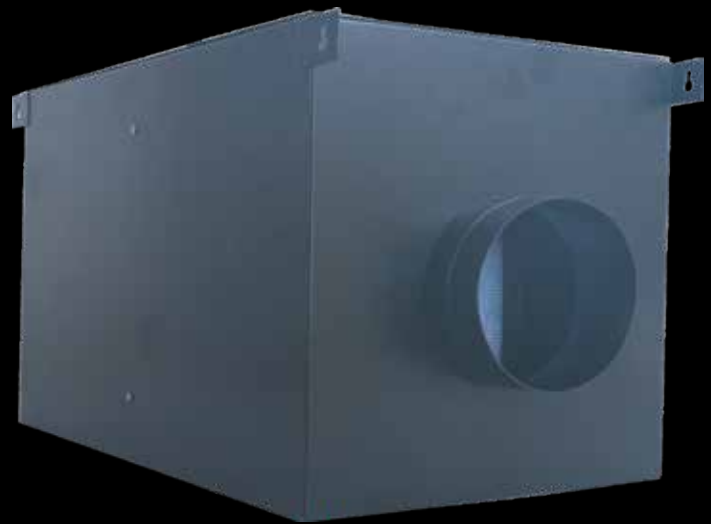


## Fresh Air Fan

### Specifications

Model	Impeller diameter (mm)	Rated Voltage (v)	Rated Frequency (Hz)	Power (w)	Capacity (m3/h)	Speed (r/min)	Noise (db)	Static Pressure (pa)	Connection Duct diameter (mm)
FA IL 100	100	220-240	50	26	140	2450	<20	160	100
FA IL 150	150	220-240	50	50	290	2600	<30	260	150

- Three stage filtration process
- HEPA filter / Activated Carbon / Honeycomb Filter
- Neutralizes smoke, various odours including chemical, cigarette smoke
- Prevents against mold, microbes, viruses and majority of airborne germs
- Destroys heavy pollen particles, dust, dirt flakes, pet dander or any other irritants
- Reduces unpleasant odours in your house, office, etc
- Minimal noise level, almost silent operation



Double Ball Bearing Motor



Silent Operation



Auto Cut off Protection

### Dimensions (mm)

Model	A	B	C	D	E	F
FA IL 100	450	230	260	100	70	50
FA IL 150	530	360	340	150	120	85



# Accessories



**Net Diffuser**



**Disc valve**



**Magnetic Plate**



**Plastic Pipe**



**Protection Grill**



**Protection Grill  
with Louvers**



**Flat Pipe**



**Gripper Ring**



**SS Cowl**

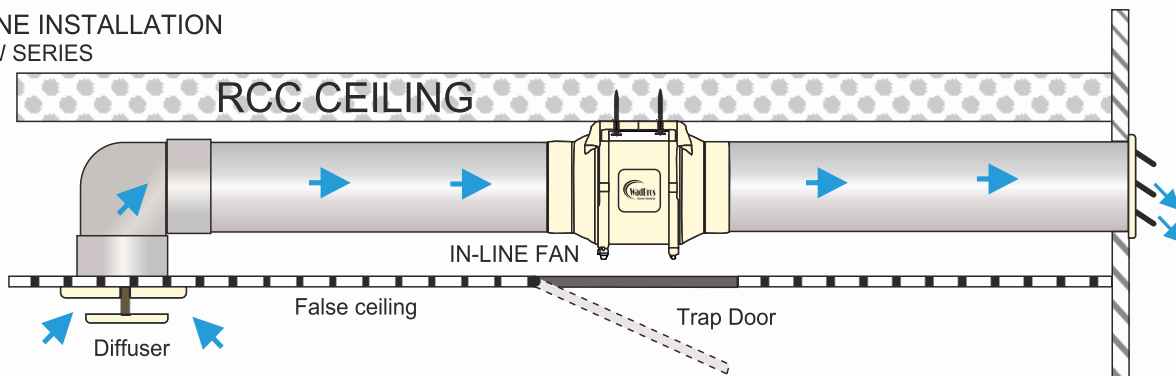


**Weather Proof  
Protection**



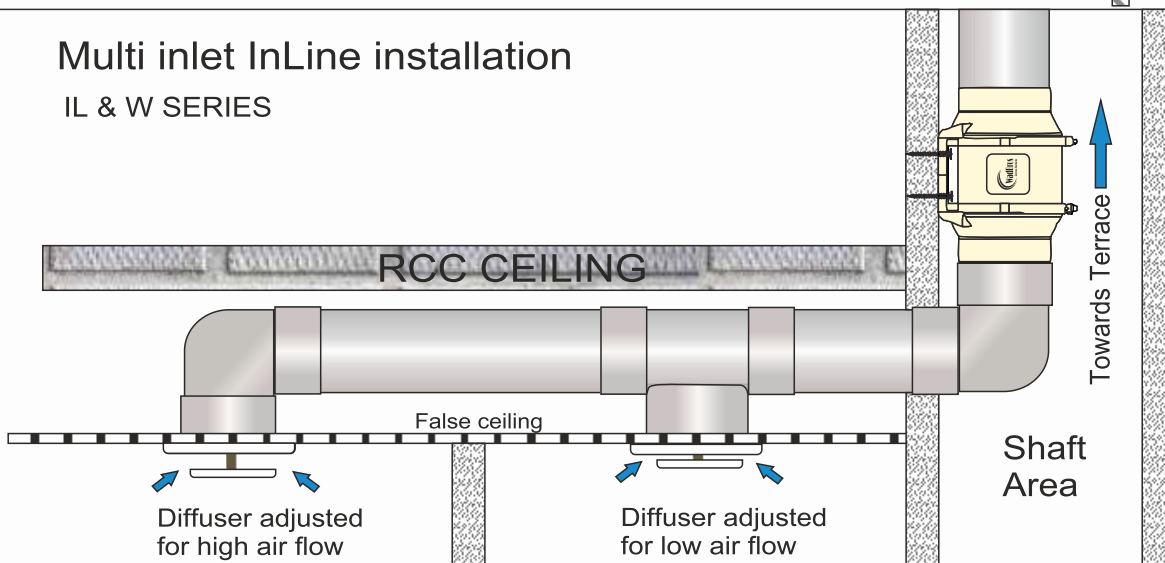
**Aluminium  
Flexible Pipe**

**IN-LINE INSTALLATION**  
IL & W SERIES



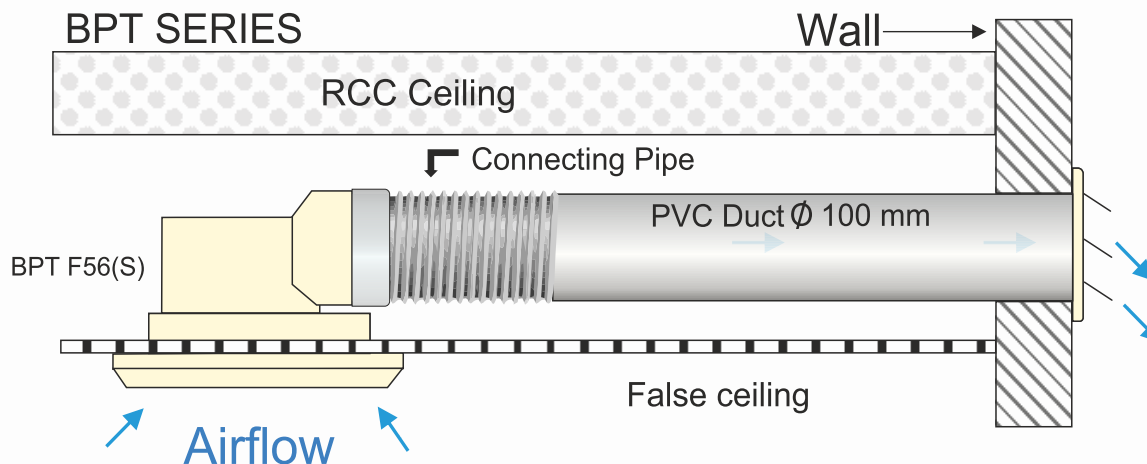
**Multi inlet InLine installation**

IL & W SERIES



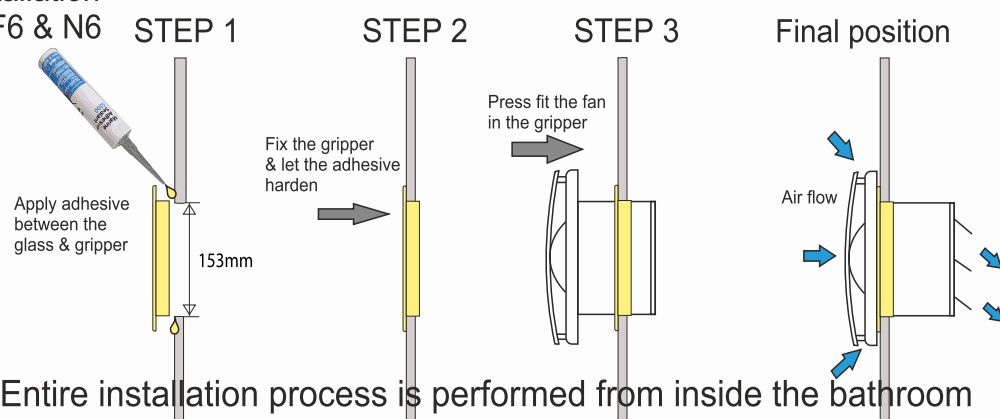
**Centrifugal Ceiling Exhaust Installation**

BPT SERIES



**Glass installation**

Vent O6, F6 & N6



Note: Entire installation process is performed from inside the bathroom



## Certified & Code Compliant:

All fan Motors are RoHS Approved. Restriction of Hazardous Substances Directive (RoHS) restricts the use of the following six substances in the manufacturing process: Lead, Mercury, Cadmium, Hexavalent chromium [CR(VI)],

Polybrominated biphenyls (PBB), and Polybrominated diphenyl ether (PBDE).

The production facilities that build Wadbros fans have earned the distinction of being recognized by the International Standards Organization (ISO) under the ISO 9001:2015 Quality Assurance program.

CE marking on a product indicates that the product complies with legal requirement of European market and the same can be sold with in European Union. CE Marking ensures that a product meets a minimum safety standard and product does not compromise with public safety.

Wadbros is a CRISIL verified Company



# **WadBros**<sup>®</sup> GERMAN STANDARD Designer Ventilation Fans

Wadbros Imports & Exports

Email : [wadbros@gmail.com](mailto:wadbros@gmail.com), [wadbros@wadbros.com](mailto:wadbros@wadbros.com)

Website : [www.wadbros.com](http://www.wadbros.com)



SCAN this QR-code  
from your smart  
phone to know more.