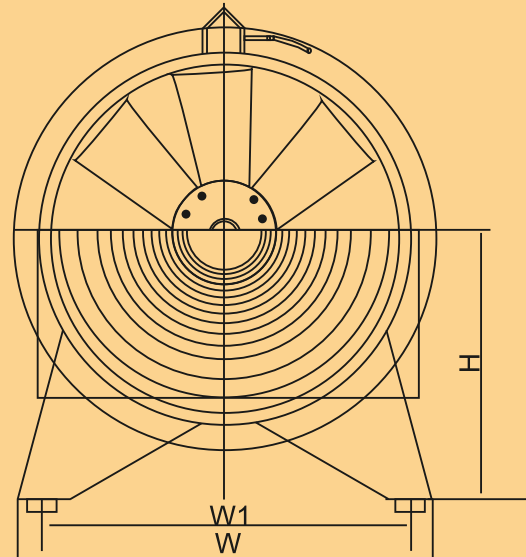
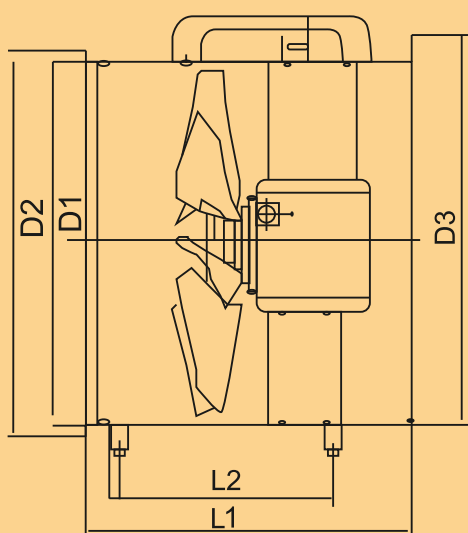


Air Quality
for the highest demands



SHT Series (Portable Fan For Exhaust or Blowing)





SHT Series (Portable Fan For Exhaust or Blowing)

Dimension

SHT	D1	D2	D3	L1	L2	W	W1	H
2.5A	260	285	310	340	220	280	236	195
3A	310	330	360	340	220	320	276	220
3.5A	360	380	410	370	235	365	320	245
4A	410	430	460	370	235	420	376	270

- **Portable and light weight**
- Excellent application for dust collection
- Can be used as an exhaust for blowing inside a container and tunnel
- A professional fan for machinery and engineering
- Optional 10 metre canvas duct available



Specifications

Model	Power (kw)	Voltage(V)	Rotation(RPM)	Volume(m³/h)	Pressure(Pa)
SHT - 2.5A	0.25	220	2800	1492~1822	154~134
SHT - 3.0A	0.37	220	2800	2578~3148	222~192
SHT - 3.5A	0.55	220	2800	3392~4202	285~224
SHT - 4.0A	0.90	220	2800	4054~5013	380~270